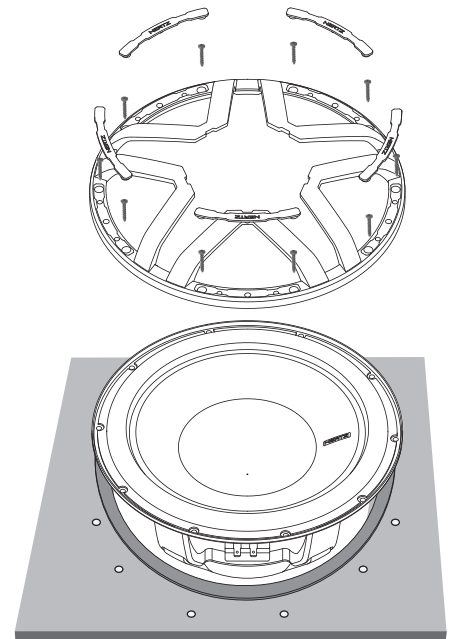
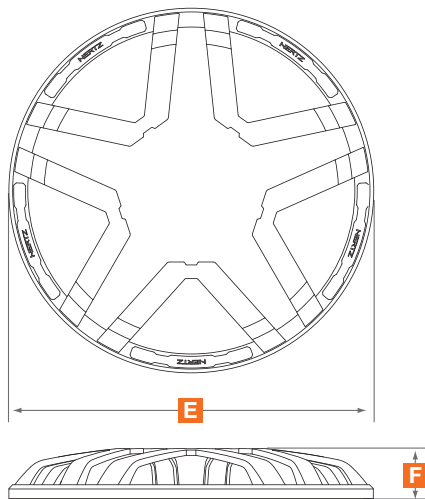


# GRILLE energy

**ESG 200 GR - ESG 250 GR  
ESG 300 GR - ESG 380 GR**



Protective grille with absolute unique design, featuring the Hertz logo on the screw caps. Robust and suitable for any installation, it is available in different sizes.



	ESG200GR	ESG250GR	ESG300GR	ESG380GR
<b>E</b>	214 mm 8.42 in.	262 mm 10.31 in.	311 mm 12.24 in.	390 mm 15.35 in.
<b>F</b>	40 mm 1.57 in.	41 mm 1.61 in.	43 mm 1.69 in.	45 mm 1.77 in.